

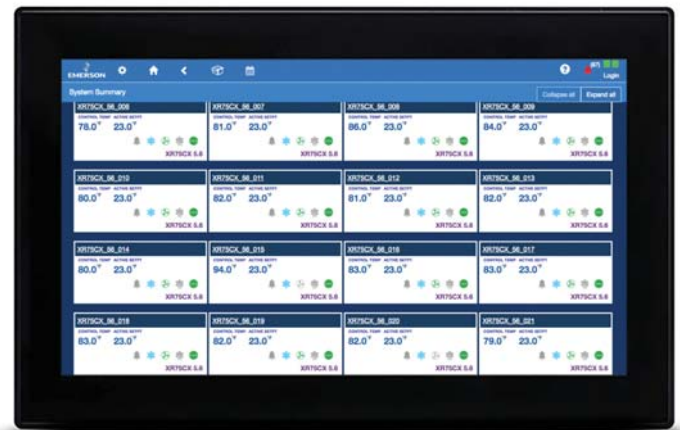
# Touch-Screen Displays

Convenient, secure access to controls, troubleshooting and more

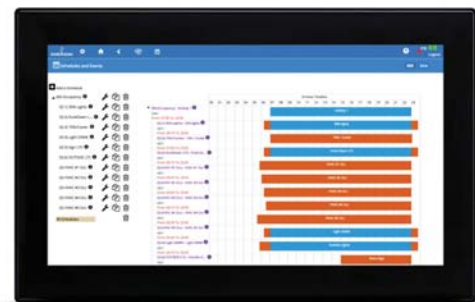
Ideal for wall and panel mounting, Touch-Screen Displays for Emerson supervisory controls offer easy touch-screen access to program, control, override and run diagnostics on Emerson building and system controllers. These 10 and 7-inch capacitive panels operate with a light touch and familiar features, similar to a smart phone and tablet. Yet, they are built robustly for long-life in hot, humid and high-traffic areas, making them perfect in the backroom or in public areas.

## Benefits

- **Simple to use** – No training required. Just touch the screen to access tasks and improve your efficiency.
- **Ruggedized for long life** – Screen and housing are resistant to scratches, UV and chemicals. IP66-rated front is dust-tight and water resistant. Operates -4°F to 140°F (-20°C to +60°C), and in high humidity up to 85% for tough daily use.
- **High readability** – 16:9 format delivers big-screen-style images, from wide angles. The bright screen is dimmable from 100% down to 0%.
- **Advanced graphics** – Easily manage schedule functions with touch-screen simplicity, and review detailed schematics with high-resolution clarity. Viewing complex performance charts and detailed system history is a breeze.
- **Flexible location** – Wall-mount hardware makes it fast and easy to locate displays near the controller, in the office, or in the store – wherever it's needed.



10-inch touch screen display

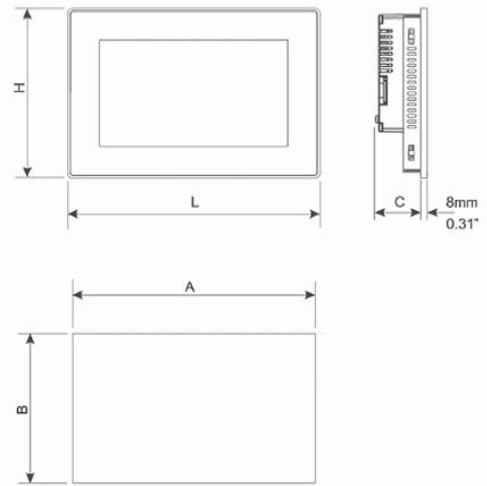


7-inch touch screen display

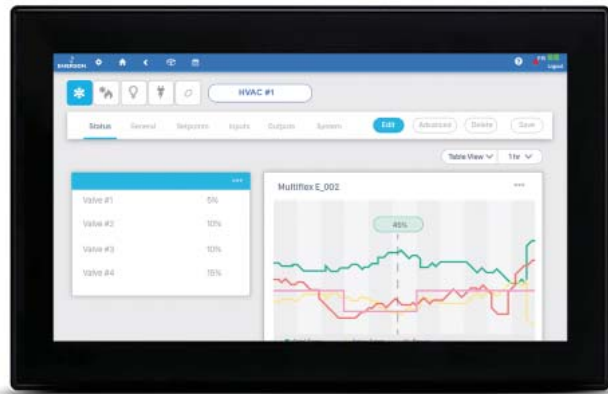
## Your choice – 10-inch or 7-inch display

Emerson offers two models with high performance for almost any application. The large 10-inch screen optimizes image size, touch-screen functions, and on-screen keyboard size. The 7-inch screen delivers similar functionality in a smaller footprint, ideal for use inside panels and offering a more cost-effective option.

## Mounting dimensions



Model	A	B	C	H	L
818-7235	176mm /06.90"	136mm /05.35"	47mm /01.85"	147mm /05.79"	187mm /07.36"
818-7230	271mm /10.66"	186mm /07.32"	56mm /02.20"	197mm /07.75"	282mm /11.10"



## Access performance history and diagnostic details

Small screens can be hard to read, especially for detailed graphics and complex data. But the high resolution, brilliant images and wide viewing angles of the Emerson Touch Screen Displays provide excellent visibility for even the most detailed data. Whether adjusting a lighting schedule, reviewing set point changes, checking food quality reports or scrolling through detailed set-up and diagnostic information, data, images and icons are crystal clear – even schematics and line drawings are easy to read.

## Specification summary:

	10-Inch, Model 818-7230	7-Inch, Model 818-7235
Display - Colors	10.1" TFT 16:9 LED - 16M	7" TFT 16:9 LED - 16M
Resolution 1280x800, WXGA	1280x800, WXGA	800x480, WVGA
Dimming	100%-0%	
Operating Temp	-4°F to 140°F (-20°C to +60°C) for vertical installation. Plug-ins and USB devices may reduce max temperature to 122°F (+50°C)	
Storage Temp	-4°F to 158°F (-20°C to +70°C)	
Operating / Storage Humidity	5-85% RH, non-condensing	
Protection Class	IP66 (front), IP20 (rear)	
Ethernet port	3 (port 0 - 10/100/1000, port 1 - 10/100, port 2 - 10/100)	
Serial port	1 (RS-232, RS-485, RS-422, software configurable) Max 3 serial ports using plug-in modules.	
USB port	2 (Host V2.0, max. 500 mA)	
SD card Yes	YES	
Power supply	24 Vdc (10 to 32 Vdc)	
Battery	Rechargeable Lithium battery, not user-replaceable	